

Slimmest views for indoor applications

from 18 mm face width

flush-mounted doors

offset doors

fixed glazings



forsterprestoXS

Slimmest profiles for doors and fixed glazings

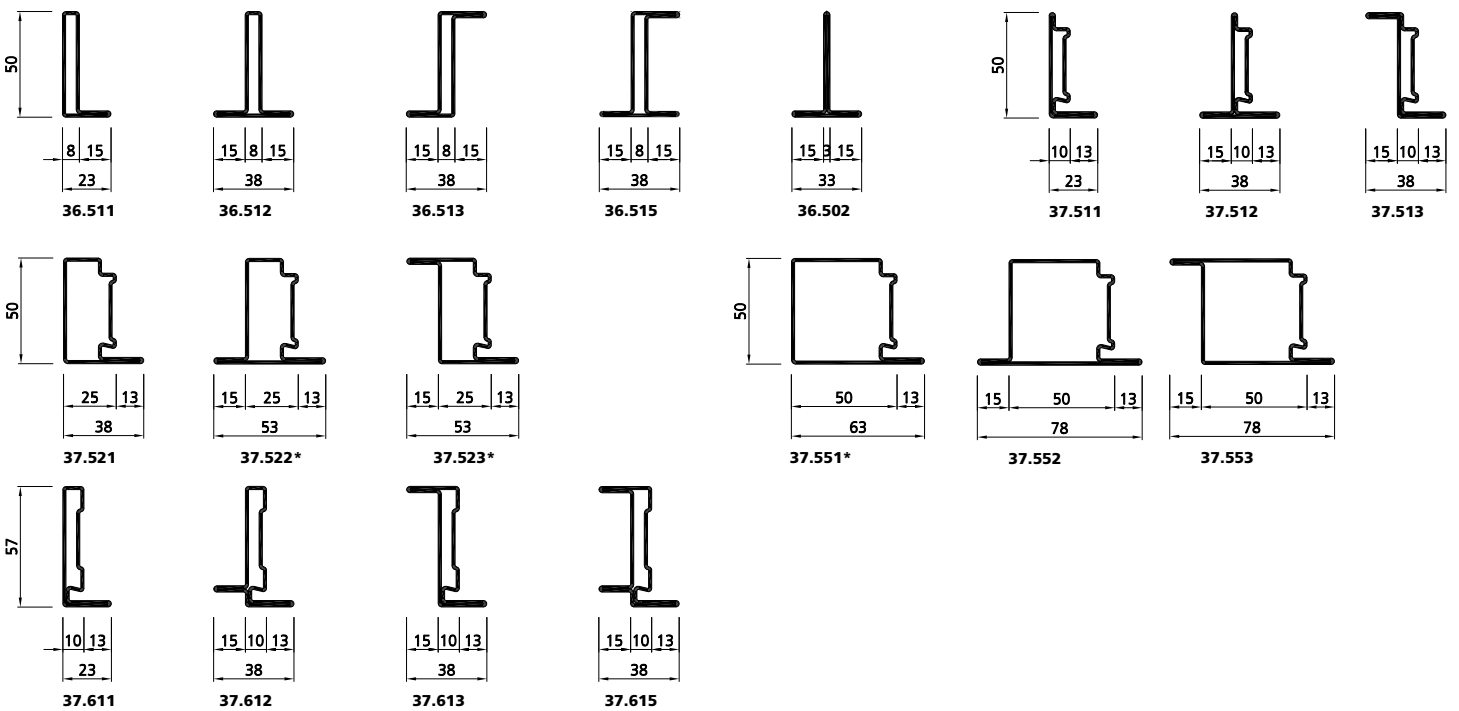
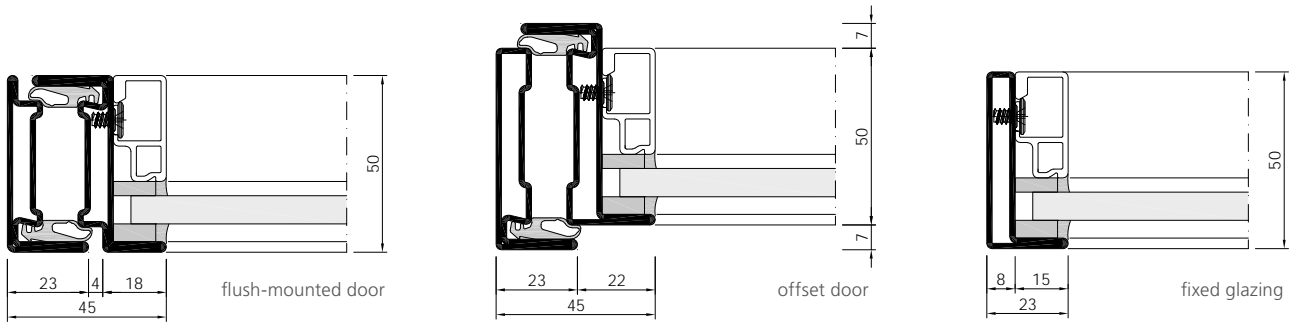
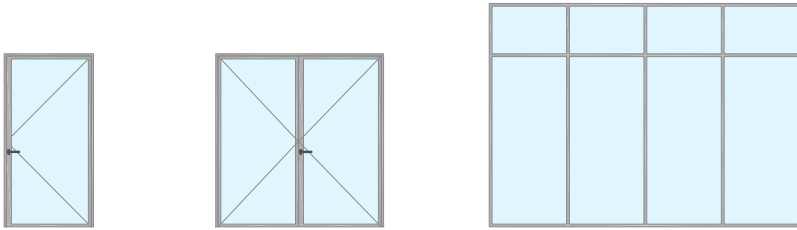
FROM 18 MM. With the system extension forster presto XS, flush-mounted and offset doors as well as fixed glazings can be realised in the interior of buildings in a wide application variety. The slim profile widths allow for filigree constructions in a timeless design, while the elements offer a high degree of transparency admitting plenty of light and ensuring a sense of well-being.

Profiles with minimal face widths from 18 mm are available to create that special look or even to reproduce historical, filigree constructions. 18 new profiles have been developed just for this purpose. The specially tailored range of accessories and fittings is easy to process and offers a high degree of safety in use.

The unique steel profiles made of 100 % steel are particularly durable, sustainable and ecological because they are completely recyclable.

Technical details

Material options	cold rolled steel
Face width	doors from 18mm fixed glazings from 23 mm
Dimensions	single leaf door up to 1200x2400 mm (WxH) double leaf door up to 2400x2400 mm (WxH)
System properties	wet and dry glazing design glazing beads in aluminium and steel in various dimensions perfectly matched accessories





09-20

forster

Forster Profile Systems Ltd | CH-9320 Arbon
info@forster.ch | www.forster-profile.ch